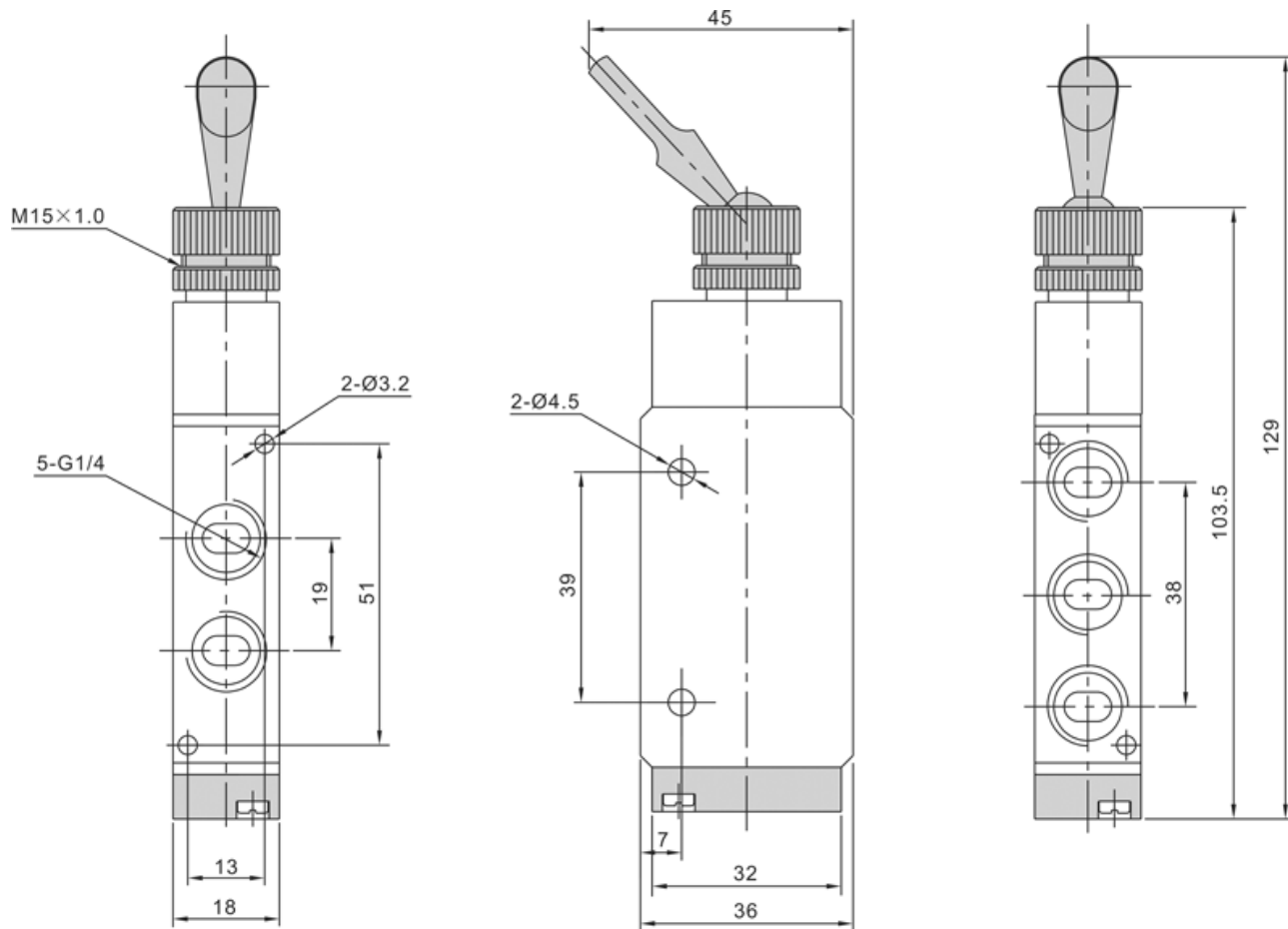


MPV 522 Hand Operated Air Valve Dimensions (UNIT=MM)



	MPV522
Working Medium	Air(to be filtered by 40 μ filter element)
Port size	1/4" NPT
Effective Cross Section Area	18mm ² (CV=1.00)
Working Pressure	0~0.8MPa
Temperature	0~60°C
Panel Hole	15mm



Specifications	
Model	MPV
Description	Toggle Valve
Cv	1.00
Operating Pressure	0 to 115 PSI
Operating Temperature	23 to 140 Deg. F (-5 to 60 Deg. C)
Action	Direct Acting
Working Medium	40 micron filtered air or inert gas
Body Material	Aluminum
Seal Material	NBR
Lubrication	Not Required
Valve Configuration	Functions
2 way valve configurations: 2 position valves	to turn on and off
3 way valve configurations: 2 position valves	to fully extend single acting cylinder
4 way valve configurations: 2 position valves	to fully extend and retract double acting cylinder
4 way valve configurations: 3 position, closed-center valves	to stop a double acting cylinder in partial stroke
4 way valve configurations: 3 position, exhaust-center valves	to have both cylinder ports open to exhaust such that the cylinder can be extended and retracted to facilitate set-up
4 way valve configurations: 3 position, pressure-center valves	to stop a double acting cylinder in partial stroke with pressure on both ends of the cylinder.